

# Framework series

Available Colour:

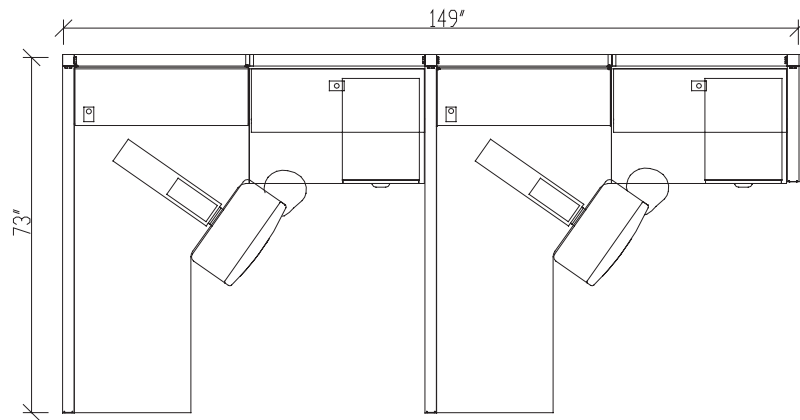


Charcoal Frame & Grey Panels



Simple, durable, and affordable.

- ✓ Great competitive pricing!
- ✓ Fast and easy to install/reconfigure
- ✓ Large range of sizes
- ✓ Tackable panel surface above desk height
- ✓ Built-in raceway for wire management



## Layout #7

FRM-7266P	x2	66" Tall Panel
FRM-3666P	x4	66" Tall Panel
FRM-2466P		66" Tall Panel
FRM-66SQP-3W		Square 3 Way Connecting Post
FRM-66SQP-2W	x2	Square 2 Way Connecting Post
FRM-OS36	x2	Overhead Shelf Set
FRM-OSC36	x2	Overhead Storage Cabinet
FRM-66PET	x3	Panel End Trim
FRM-PCK	x2	Panel Connecting Kit

## HDL Innovation Components

INV-7236CM	x2	Extended Corner Module*
INV-2436RSBR	x2	Return Shell/Bridge*
INV-HPF	x2	Hanging Pedestal*
100-AKTM	x2	Articulating Keyboard Tray*

\*Please refer to our price book for up-to-date pricing information.

**Note:** Complete Layout combines Framework with HDL Innovations series. Please refer to [www.heartwooddl.com](http://www.heartwooddl.com) for current finish options available for this series.

HDL Innovations available in seven colours

