

# Framework series

Available Colour:

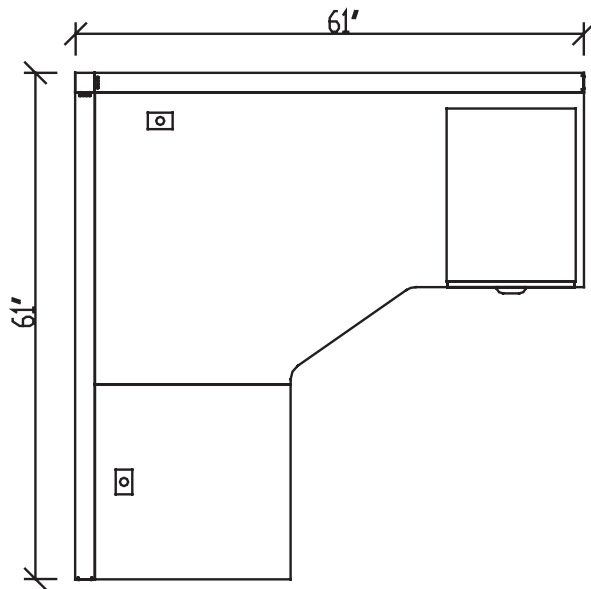


Charcoal Frame & Grey Panels



Simple, durable, and affordable.

- ✓ Great competitive pricing!
- ✓ Fast and easy to install/reconfigure
- ✓ Large range of sizes
- ✓ Tackable panel surface above desk height
- ✓ Built-in raceway for wire management



## Layout #2

FRM-6066P	x2	66" Tall Panel
FRM-66SQP-2W		Square 2 Way Connecting Post
FRM-66PET	x2	Panel End Trim

## HDL Innovation Components

INV LAYOUT #11A	HDL Innovations Layout*
-----------------	-------------------------

\*Please refer to our price book for up-to-date pricing information.

**Note:** Complete Layout combines Framework with HDL Innovations series. Please refer to [www.heartwooddl.com](http://www.heartwooddl.com) for current finish options available for this series.

