

Framework series

Available Colour:

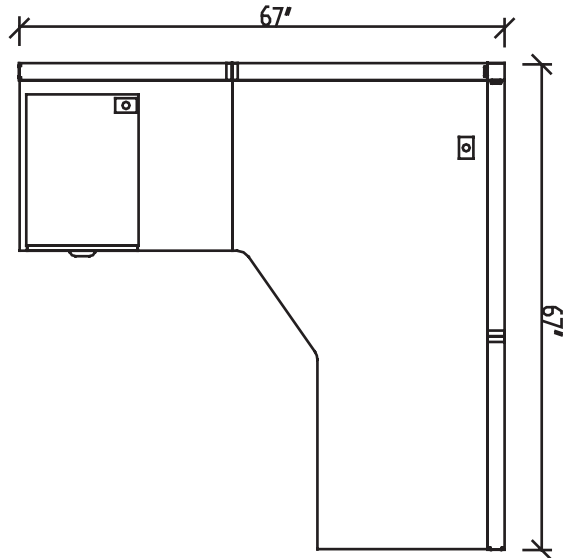


Charcoal Frame & Grey Panels



Simple, durable, and affordable.

- ✓ Great competitive pricing!
- ✓ Fast and easy to install/reconfigure
- ✓ Large range of sizes
- ✓ Tackable panel surface above desk height
- ✓ Built-in raceway for wire management



Layout #1

FRM-3048P	x2	48" Tall Panel
RM-3648P	x2	48" Tall Panel
FRM-48PET	x2	Panel End Trim
FRM-48SQP 2W		Square 2 Way Connecting Post
FRM-PCK	x2	Panel Connecting Kit

HDL Innovation Components

INV LAYOUT #12A	HDL Innovations Layout*
-----------------	-------------------------

*Please refer to our price book for up-to-date pricing information.

Note: Complete Layout combines Framework with HDL Innovations series. Please refer to www.heartwooddl.com for current finish options available for this series.

HDL Innovations available in seven colours

